



# HoneyPack Pod 500 Quick Reference User Guide



☎ 844.466.3972

🌐 [honeypack.com](http://honeypack.com)

# OPERATING INSTRUCTIONS

## Safety Guidelines

Please read the safety guidelines and operating instruction closely before using the machine.



- Turn off the machine and disconnect power before opening the machine or performing any repair or maintenance work on the machine.
- Switch off the machine if it will not be used for an extended period of time.
- Do not insert any objects into the machine when it is connected to power.
- To prevent the risk of electric shock, ensure that the machine does not come into contact with liquids.



- Do not operate the machine without the covers for the machine components.
- Keep hair and loose clothing away from the film feed mechanism.
- Place the machine only on surfaces that are adequately large, stable, flat, and horizontal.

The machine is designed for safe operation in compliance with the use, instructions, and guidelines specified in these operating instruction.

All persons who use this machine must be familiar with the content of these operating instructions and must carefully follow the safety guidelines.

HoneyPack shall not be responsible for damage resulting from improper use of the machine or non-observance of the safety guidelines.

# OPERATING INSTRUCTIONS

## Air Cushion Types



48011 - 8" x 4" PolyPack .8mil 1100'



48012 - 16" Wide 4 Chamber PolyPack



Scan the code to see more options for the HoneyPack Pod 500

## Recommended Settings

ITEM NUMBER	RECOMMENDED TEMPERATURE (°F)	RECOMMENDED AIR VOLUME (%)
48011	338°F - 356°F	26%
48012	338°F - 356°F	66%

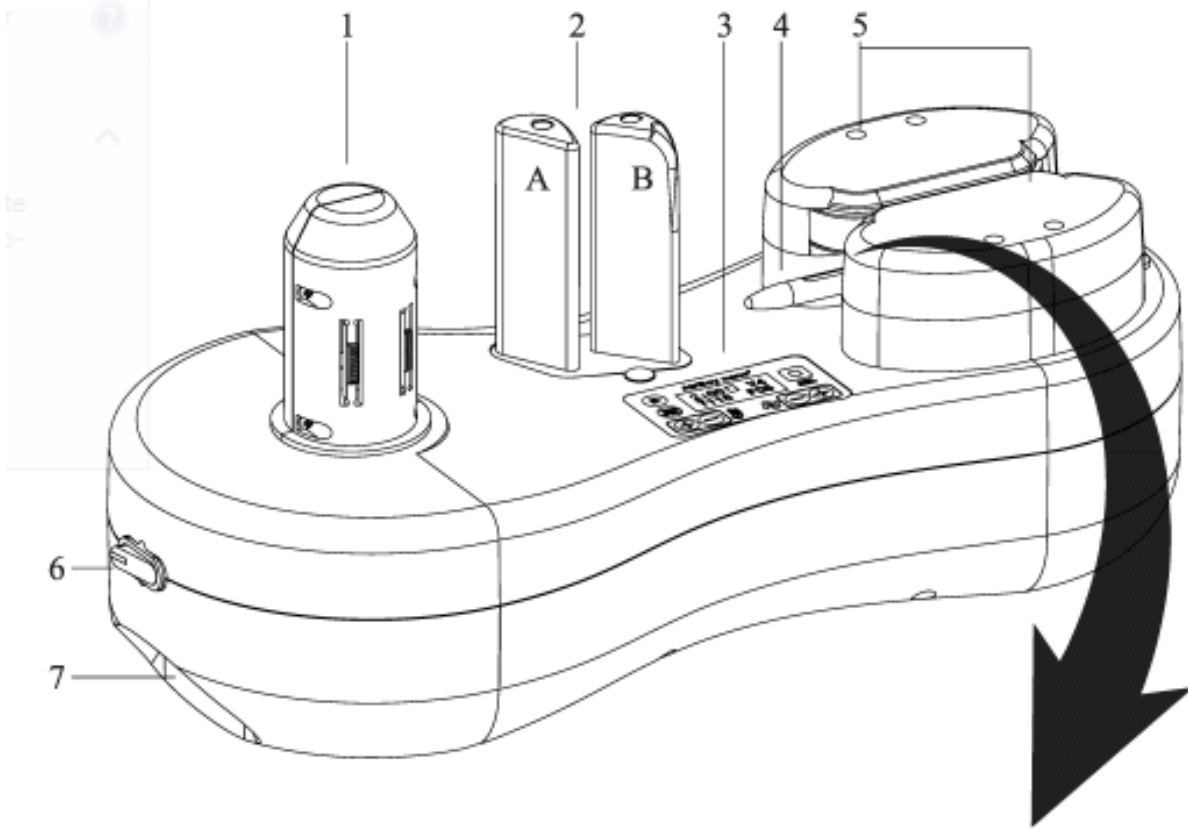
The listed settings are recommendations to ensure a longer life of the machine by still good cushion results. Do not exceed these settings. But temperature and air volume can differ a little bit depending on field of application and environmental conditions.



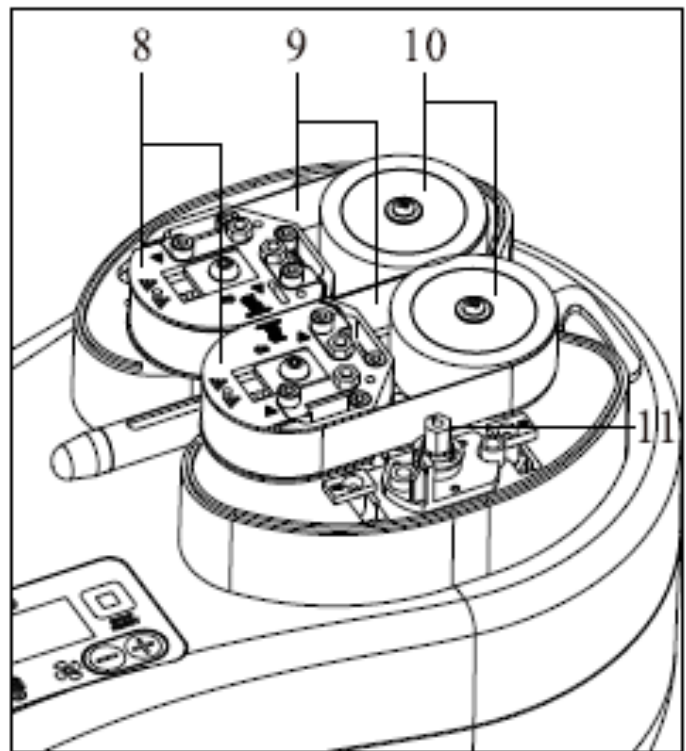
Scan the code to see other settings for HoneyPack Pod 500

# OPERATING INSTRUCTIONS

## Machine Overview



1. Feeding roller
2. Tension column A and B
3. Control panel
4. Air nozzle
5. Protecting cover
6. Power switch
7. Power socket
8. Heating element
9. Teflon belt
10. Silicone wheels
11. Eccentric shaft



# OPERATING INSTRUCTIONS

## Accessories and Spare Parts



Hex Key (2 pcs.)



Teflon Belt (2 pcs.)



Blade (1 pcs.)



Wrench (1 pcs.)



Screw

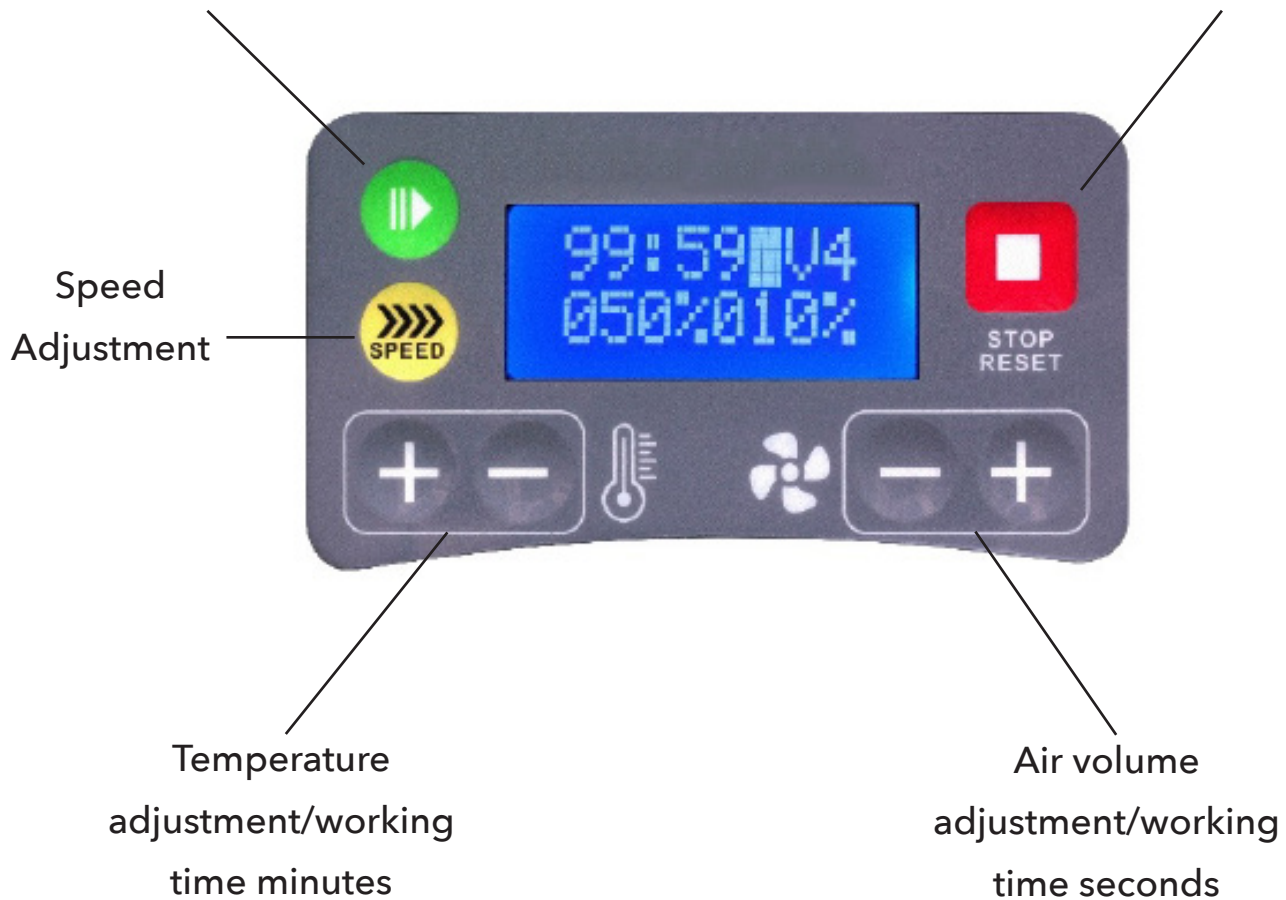


Power Cord

# OPERATING INSTRUCTIONS

- 1. START
- 2. Film In/Out

- 1. STOP
- 2. Set Working Time



Control panel example above:

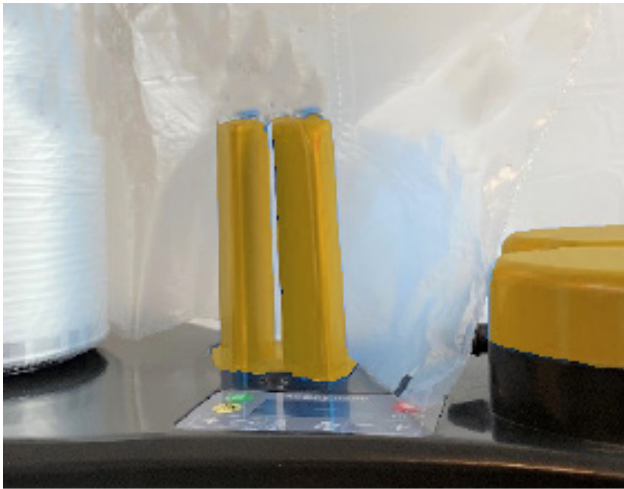
99:59	Working time (99min:59sec.)
V4	Speed level V4 (32.8ft/min)
050%	Temperature (50%)
010%	Air volume level (10%)

## OPERATING INSTRUCTIONS



### 1. Turn on the power switch

Connect the power cable to the socket and turn on the power switch.



### 2. Install the air cushion film on the feeding roller

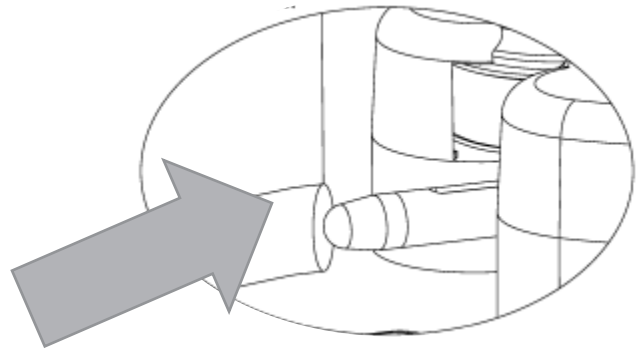
Load the film roll into the feeding roller with the air channel side down.

*(optional: to increase the amount of air in the cushions, pass the foil through the deflector).*



### 3. Preparation of air cushion production

Open the air channel and put film into air nozzle to pass through the air channel until the film is 1 cm behind the wheels. Press and hold the "START" button to feed until the film is behind the wheels.





## OPERATING INSTRUCTIONS

### 4. Air Cushion production

After you have inserted the film and set the parameters (page 7) temperature, air volume, speed according to the type of film - press the "START" button to start film production and check the air filling quantity and sealing result at the same time. If necessary, adjust the temperature and air volume according to the actual situation (room temperature etc. can be determining)

### 5. Break

The machine will stop automatically after running for the preset time, or you can manually press "STOP" button to stop working when the machine running. The remaining time will not be reset, only after turning off the machine.

## Adjustments with Control Panel

### 1. Speed adjustment

After pressing START machine is working with the last preset data. Pressing SPEED you choose the different speeds V1 - V4. Please adjust the speed according to page 7.

### 2. Temperature adjustment (T)

Temperature setting is on the left side of panel. Pressing the "+" button increases the temperature; pressing the "-" button decreases. Press one time means increase or decrease 1 level. Continuous pressing rapidly increases or decreases. (Please decrease if there are holes in the sealing bags; please increase if sealing is not very strong)

### 3. Air Volume Adjustment (F)

Air volume setting is on the right side of panel. Pressing the "+" button increases the air volume; pressing the "-" button decreases. Press one time means increase or decrease 1 level.

Speed, temperature (T) and air volume (F) can be changed during the film production.

## OPERATING INSTRUCTIONS

### 4. Adjustment working time

Working time presetting: Long press the "STOP" button to enter the run time preset mode (00:01 to 99:59min), the temperature "+" and "-" buttons refer to minutes; the air volume "+" and "-" buttons refer to seconds. Please press the "STOP" button to save and exit the data

1. Before presetting the run time, please estimate the amount of film on the roll and set the time accordingly so the machine does not run out of film during the run as this could potentially cause machine damage.
2. Run time can only be set before the "START" button is pressed. The air volume, speed and temperature may all be adjusted while the machine is running.
3. The machine will automatically save the settings when it is powered down.

Example: Full roll of 48005 PolyPack lasts:

V4 (32,8ft/min) - 35min

V3 (26.2ft/min) - 44min

V2 (19.7ft/min) - 59min

V1 13.1ft/min) - 88min

### Technical Data

Input Voltage: AC100-240V 2.5A 50/60Hz

Working power: 50-96W

Speed (4 levels): V1:13.1 ft/min; V2:19.7ft/min; V3: 26.2ft/min; V4:32,8ft/min

Weight: 6 lbs

Output Voltage: DC 24V 4A

Product dimensions (LxWxH): 17 x 7.5 x 7.7 inches

## OPERATING INSTRUCTIONS

### Replacement of Blades

Please replace the blade if the film bunches up on the blade or when the cut is seriously uneven. Also replace if rust appears on the blade.

#### Step 1: Switch off the machine and disconnect power



Disconnect power to the machine by removing the power cord completely from the machine.

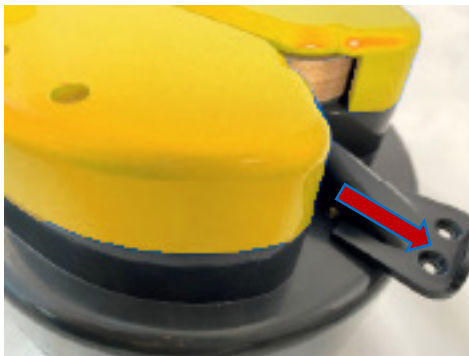


Allow the machine to cool down!



#### Step 2:

Using the hex key unscrew the screws of blade bracket.



#### Step 3:

Pull out the blade carrier (blade is located on the bottom side). ATTENTION, the blade is very sharp, use extreme caution!



#### Step 4:

Using the hex key to unscrew the screws of blade and change it.

## OPERATING INSTRUCTIONS

### Replace High Temperature Belt

Please replace the high temperature belt when there are abrasions, the heating unit, the conveyor wheels and the sealing wheels will fail if the high temperature belt is worn and not replaced.

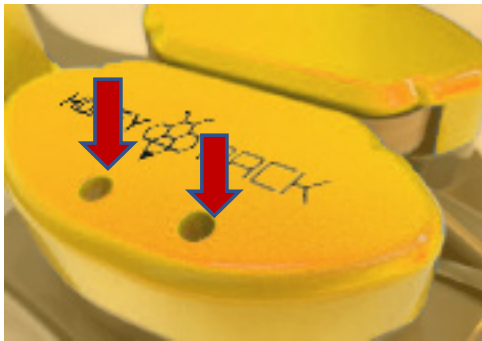
#### Step 1: Switch off the machine and disconnect power



Disconnect power to the machine by removing the power cord completely from the machine.

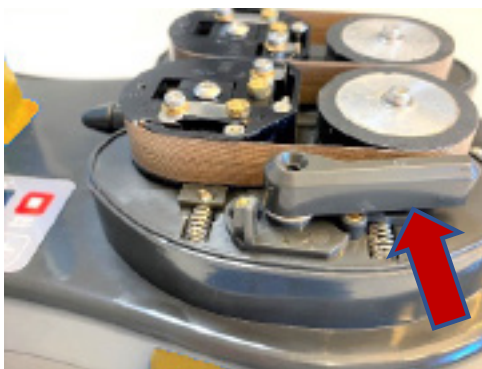


Allow the machine to cool down!



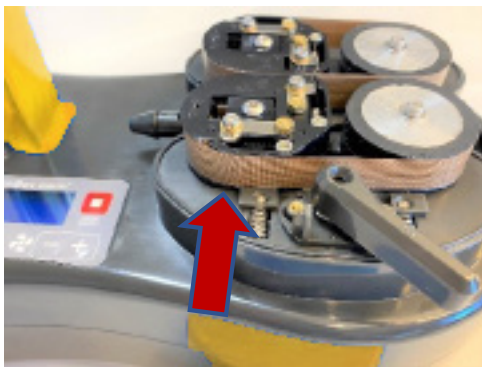
#### Step 2:

Remove the protective covers with the provided hex key



#### Step 3:

Install the wrench on the excentric shaft



#### Step 4:

Turn the wrench clockwise until the transport wheels are movable and replace the belt.

#### Step 5:

Turn the wrench to original position and put the protective covers back.

# OPERATING INSTRUCTIONS

## Troubleshooting

	<b>Failure</b>	<b>Reason analysis</b>	<b>Solution</b>
1	Air leakage	temperature value too low	increase temperature value
2	sealing is wide and thin	temperature too high	lower temperature value
3	under-inflation	air volume value too low	increase air volume value
4	during operation the foil is jamming the heating area	the body temperature of device increased.	Turn off the device, let it cool down, check/replace blade

## Options and Expandability

Please contact your sales advisor for further information.



Distance controlled production by Bluetooth connection. With tablet or smartphone.



Fully automated control by the installation of a filling level sensor.  
Optimal for overhead compartment or mobile air cushion storage.



Start-/Stop function with foot pedal.  
For a production on demand. Even if you have no free hand or if machine is inaccessible.



Jumbo roll holder for bigger rolls.



Overhead Solution  
For an automated air cushion stockage in ideal working height.



Docking station  
For a decentralized consumption with mobile rolling container completely independent of machine position.



The large roll coiler  
For the production of endless rolled sheets of the cushion mats.



Roll trough  
For an easy storage of endless rolled sheets in optimum height.

# OPERATING INSTRUCTIONS

## Maintenance and Cleaning

The HoneyPack Pod 500 is a low maintenance machine. There may be wear that occurs over time due to abrasion and wear parts should be replaced when this occurs. Furthermore there can occur typical contamination or residues of film or dust at the HoneyPack Pod 500.

Our recommendation:

**After 30 roll changes or if required:**

1. Check Teflon belts and replace as the circumstances require.
2. Check transport rolls regarding contamination and grip clean or replace if necessary.
3. Check blade, see the cutting of the film, if necessary replace (page 12)
4. If necessary clear the machine of contamination and residue of film. Consider also knife slot at air pipe, sealing block and other areas of the machine.

## Declaration of Conformity

The machine HoneyPack Pod 500 is compliant with the relevant harmonized standards listed according to EMC-Regulations 2014/30/EU and LVD Regulations 2014/35/EU. The compliance was verified by an independent specialized certifying company.

Technical documentation available on request.

# OPERATING INSTRUCTIONS

## Warranty

HoneyPack Pod 500 has a 12-month manufacturer's warranty that covers all electronic and mechanical components. The warranty period starts automatically when you purchase the machine.

In the event of damage, please contact our Customer Service Center (please see contact below). If the machine needs to be send back to us, please follow the steps discussed with our service team. Your machine will be returned to you immediately once the repair is finished. If you need a replacement machine, the warranty period will continue from the receipt date of the first machine. The warranty will not be extended.

The scope of the warranty does not include the following:

- Damage resulting from improper use of HoneyPack Pod 500
- This includes, in particular, damage caused by using unsuitable films or inserting foreign objects into the machine's transport belts.
- Wear and tear caused by regular use
- Wearing parts, in particular, Teflon belts, blades, and transport rollers

Contact HoneyPack at:  
info@honeypack.com  
844.HONEYPACK



Need Assistance? Scan the QR code.